

L/S® FIXED-SPEED DRIVES

FEATURES/BENEFITS

- ▶ Flow rates: 0.06 to 290 mL/min depending on drive model and tubing size
- ▶ Simple, economical pump drives for general, intermittent-duty fluid transfer applications
- ▶ Lighted power switch on front of drive lets you know that pump is running
- ▶ Seven speeds available—choose speed and tubing size to achieve your desired flow rate(s)
- ▶ Drives are UL, cUL listed and CE compliant
- ▶ Ideal as an acid/base or nutrient feed pump in fermentation applications
- ▶ Housing is stackable for efficient use of limited space

DRIVE CONTROLS

- ▶ Use lighted power switch on front of drive to turn drive on/off

SETUP

1. Mount pump head(s) onto drive.
2. Select tubing size required to deliver desired flow rate; load tubing in pump head.
3. Turn pump on.

SPEED CONTROL/CIRCUITRY

- ▶ Fixed-speed drives; no speed control
- ▶ Drive speed may vary $\pm 15\%$ depending on line voltage/frequency fluctuations
- ▶ 115 VAC: UL778, CSA C22.2 No. 108-01; 230 VAC For CE mark: EN61010-1 (EU Low Voltage) and EN61326 (EU EMC)

PUMP HEADS ACCEPTED

- ▶ Accept five different types of L/S pump heads: Standard, Easy-Load® 3, Easy-Load® II, Easy-Load®, and multichannel cartridge

Note: The 60-rpm drives accept only one pump head and should not be used with multichannel or multichannel cartridge pump heads.

L/S fixed-speed drive 07540-01 shown with Easy-Load II pump head 77200-62



L/S fixed-speed drive 07540-12 shown with Standard pump head 07015-21



ISO9001:2008
CERTIFIED SUPPLIER

cUL US CE

2 year warranty

ORDERING INFORMATION

Catalog number			
rpm [†]	115 VAC, 60 Hz	rpm [†]	230 VAC, 50 Hz
1	HL-07540-01	1	HL-07542-01
2	HL-07540-02	2	HL-07542-02
6	HL-07540-06	5	HL-07542-06
12	HL-07540-12	10	HL-07542-12
20	HL-07540-20	17	HL-07542-20
30	HL-07540-30	25	HL-07542-30
60	HL-07540-60	50	HL-07542-60

[†]Drive speed may vary $\pm 15\%$ depending on fluctuations in line voltage and frequency.

L/S PUMP TUBING FLOW RATE INFORMATION (mL/min)[†]

Order Masterflex L/S pump tubing separately on pages 68–73.

Tubing cross sections	L/S Precision pump tubing						L/S High-performance Precision pump tubing			
	L/S 13	L/S 14	L/S 16	L/S 25	L/S 17	L/S 18	L/S 15	L/S 24	L/S 35	L/S 36
Flow rate @ 1 rpm	0.06	0.21	0.8	1.7	2.8	3.8	1.7	2.8	3.8	4.8
Flow rate @ 2 rpm	0.12	0.42	1.6	3.4	5.6	7.6	3.4	5.6	7.6	9.6
Flow rate @ 6 rpm	0.36	1.3	4.8	10	17	23	10	17	23	29
Flow rate @ 12 rpm	0.72	2.5	9.6	20	34	46	20	34	46	58
Flow rate @ 20 rpm	1.2	4.2	16	34	56	76	34	56	76	96
Flow rate @ 30 rpm	1.8	6.3	24	50	84	110	50	84	110	140
Flow rate @ 60 rpm	3.6	13	48	100	170	230	100	170	230	290

[†]Motor rpm and flow rates for the 230 VAC, 50 Hz drives are approximately 5% of the values shown.



SPECIFICATIONS for L/S Fixed-Speed Drives

Catalog number	HL-07540-01, -02, -06, -12, -20, -30, -60	HL-07542-01, -02, -06, -12, -20, -30, -60
Performance Specifications		
Flow capacity	0.06 to 290 mL/min (0 to 4.6 GPH)	
Fixed rpm ^{††}	1, 2, 6, 12, 20, 30, 60	
Number of heads accepted	2 (1 on 60 rpm)	
Maximum torque – running	127 N-cm (180 oz-in) for 1, 2, 6, 12, 20, 30 rpm 64 N-cm (90 oz-in) for 60 rpm	
Reversible	No ^{††}	
External control – Input	Not applicable	
External control – Output		
Electrical Specifications		
Voltage/Frequency VAC (Hz)	115 (60)	230 (50)
Current	0.3 A for 1, 2 rpm; 0.5 A for 6, 12 rpm; 0.6 A for 20 rpm; 0.9 A for 30, 60 rpm	
Motor type	AC shaded pole	
Motor size	Sub-fractional ^{†††}	
Motor/speed control type	Not applicable	
Speed regulation (repeatability)	±8% (±8%)	
Soft start/Electronic brake	None	
Physical Specifications		
Housing materials	Painted steel housing	
IP rating ^{†††}	IP22	
Agency listings	UL, cUL, CE	
Storage temperature	-25 to 65°C (-13 to 149°F)	
Operating temperature	0 to 40°C (32 to 104°F)	
Dimensions (L x W x H)	15.2 x 13.4 x 11.9 cm (6" x 5¼" x 4¾")	
Shipping weight	2.9 kg (6.3 lb)	

^{††}Drive speed may vary ±15% depending on fluctuations in line voltage and frequency.

^{††}All nonreversible drives turn CW as viewed from front.

^{†††}Maximum power required is 70 W or less for indicated models.

^{†††}See page 194 for an explanation of IP ratings.

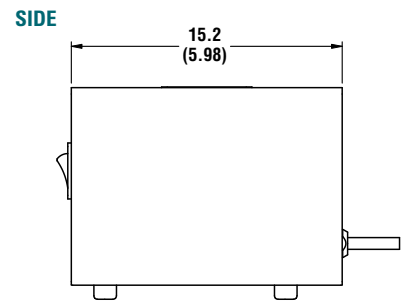
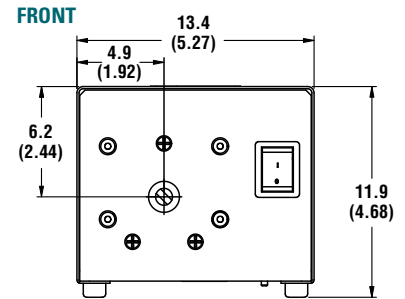
ACCESSORIES

HL-08670-02 Start/stop foot switch for all 115 VAC drives; 1.8-m (6-ft) cable.

HL-17050-01 NIST-traceable calibration for peristaltic pump drive.

<p>STANDARD 0.06 to 2900 mL/min pages 40–41</p>		<p>MULTICHANNEL CARTRIDGE 3- or 4-roller; up to 8 channels 0.047 to 1700 mL/min pages 56–57</p>	
<p>EASY-LOAD® 3 0.06 to 2900 mL/min pages 42–43</p>		<p>6- or 8-roller; up to 12 channels 0.0005 to 350 mL/min pages 58–59</p>	
<p>EASY-LOAD® II 0.06 to 2900 mL/min pages 44–45</p>			
<p>EASY-LOAD® 0.06 to 2300 mL/min pages 46–47</p>			

**Dimensional Drawings cm (in.)
07540-, 07542-series**



FREE TUBING TEST KIT!

**Can't find your chemical
in the tables?**

Request your FREE tubing kit to test compatibility of your chemicals against different tubing formulations. Request item HL-00101-10.

**Call or go online to request
your FREE test kit today!**



L/S® PUMP HEADS..... **38–67**
L/S® TUBING **68–73**
L/S® PUMP SYSTEMS **108–117**

ACCESSORIES..... **160–171**

TECHNICAL DATA..... **172–206**