



# I/P<sup>®</sup> FIXED-SPEED DRIVES

## FEATURES/BENEFITS

- ▶ Flow rates: 0.5 to 14 LPM (0.1 to 3.6 GPM) depending on drive model, pump head, and tubing size selected
- ▶ IP55 rated for excellent protection from dust and water in harsh process or manufacturing environments
- ▶ Easy to clean—just hose down after use
- ▶ Combination CW/OFF/CCW switch; purge before or after pumping, pump in either direction
- ▶ Accept I/P Standard, Easy-Load<sup>®</sup>, or High-Performance pump heads for wide flow range; stack two Standard or Easy-Load heads to double flow
- ▶ Easily configure for up to four channels of flow with multichannel pump systems (see page 150)

## DRIVE CONTROLS

- ▶ Protected fused power switch located on side of drive

## SETUP

1. Mount pump head(s) and load tubing.
2. Select CW or CCW motor direction.
3. Switch pump on.

## SPEED CONTROL/CIRCUITRY

- ▶ Fixed-speed drives; direction of rotation control only
- ▶ Meets UL 778, CSA C22.2 No. 108-01, EN61010-1 (for CE mark)



## ORDERING INFORMATION

Catalog number	rpm	Power
HL-07588-60	100	115 VAC, 60 Hz
HL-07588-65	83	230 VAC, 50 Hz
HL-07588-30	540	115 VAC, 60 Hz
HL-07588-35	450	230 VAC, 50 Hz

## ACCESSORIES

**HL-17050-01 NIST-traceable calibration** for peristaltic pump drive.

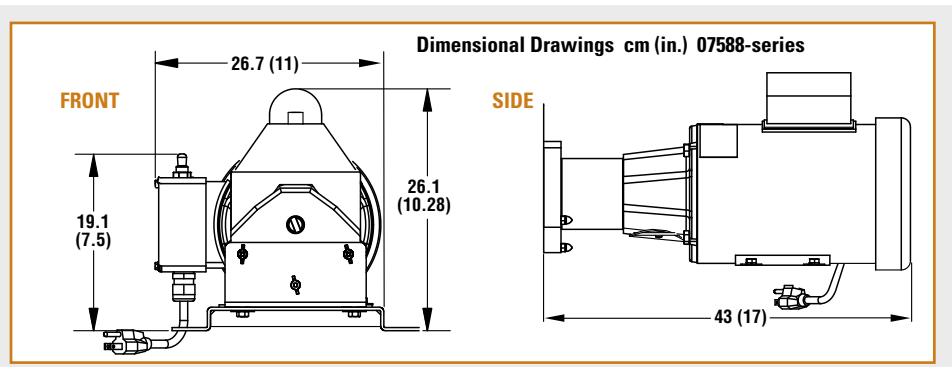


**I/P fixed-speed drive 07588-60 shown with I/P High-Performance pump head 77600-62**

## SPECIFICATIONS for I/P Fixed-Speed Drives

Catalog number	HL-07588-60	HL-07588-65	HL-07588-30	HL-07588-35
<b>Performance Specifications</b>				
Flow capacity, depending on tubing size	0.6 to 2.6 LPM (0.2 to 0.7 GPM)	0.5 to 2.2 LPM (0.1 to 0.6 GPM)	3.3 to 14.1 LPM (0.8 to 3.6 GPM)	2.8 to 11.8 LPM (0.7 to 3.0 GPM)
rpm	100	83	540	450
Number of heads accepted	2		2	
Maximum torque	Starting	922 N-cm (1306 oz-in)		723 N-cm (1024 oz-in)
	Running	836 N-cm (1184 oz-in)		633 N-cm (896 oz-in)
Reversible	Yes			
<b>Electrical Specifications</b>				
Voltage/Frequency VAC (Hz)	90 to 130 (60)	190 to 260 (50)	90 to 130 (60)	190 to 260 (50)
Current	8 A at 115 VAC	4 A at 230 VAC	8 A at 115 VAC	4 A at 230 VAC
Motor type	Continuous-duty, TEFC, brushless AC (induction)			
Motor size	0.37 kW (½ hp)			
Motor/speed control type	Fixed speed			
<b>Physical Specifications</b>				
Housing materials	Painted steel			
IP rating†	IP55			
Agency listings	UL, CSA	CE	UL, CSA	CE
Operating temperature	0 to 40°C (32 to 104°F)			
Storage temperature	-25 to 65°C (-13 to 149°F)			
Dimensions (L x W x H)	43 x 26.7 x 26.1 cm (17" x 11" x 10¼")			
Shipping weight	19 kg (42 lb)			

†See page 194 for an explanation of IP ratings.



## I/P PUMP TUBING FLOW RATE INFORMATION

Order Masterflex I/P tubing on pages 126–130.

	I/P Precision pump tubing			I/P High-performance Precision pump tubing		
	I/P 26	I/P 73	I/P 82	I/P 70	I/P 88	I/P 89
Flow rate @ 83 rpm	0.5 LPM (0.1 GPM)	1.0 LPM (0.3 GPM)	1.7 LPM (0.5 GPM)	1.0 LPM (0.3 GPM)	1.7 LPM (0.5 GPM)	2.2 LPM (0.6 GPM)
Flow rate @ 100 rpm	0.6 LPM (0.2 GPM)	1.3 LPM (0.3 GPM)	2.0 LPM (0.5 GPM)	1.3 LPM (0.3 GPM)	2.0 LPM (0.5 GPM)	2.6 LPM (0.7 GPM)
Flow rate @ 450 rpm	2.6 LPM (0.7 GPM)	5.7 LPM (1.5 GPM)	9.2 LPM (2.4 GPM)	5.7 LPM (1.5 GPM)	9.2 LPM (2.4 GPM)	11.8 LPM (3.0 GPM)
Flow rate @ 540 rpm	3.2 LPM (0.8 GPM)	6.8 LPM (1.8 GPM)	11.0 LPM (2.9 GPM)	6.8 LPM (1.8 GPM)	11.0 LPM (2.9 GPM)	14.1 LPM (3.6 GPM)